



## Card Radio - 4C Receiver

- ① ON/OFF
- ② Channel selection
- ③ LED
- ④ Earphone socket 3,5 mm
- ⑤ Volume
- ⑥ Battery slot
- ⑦ Battery cover

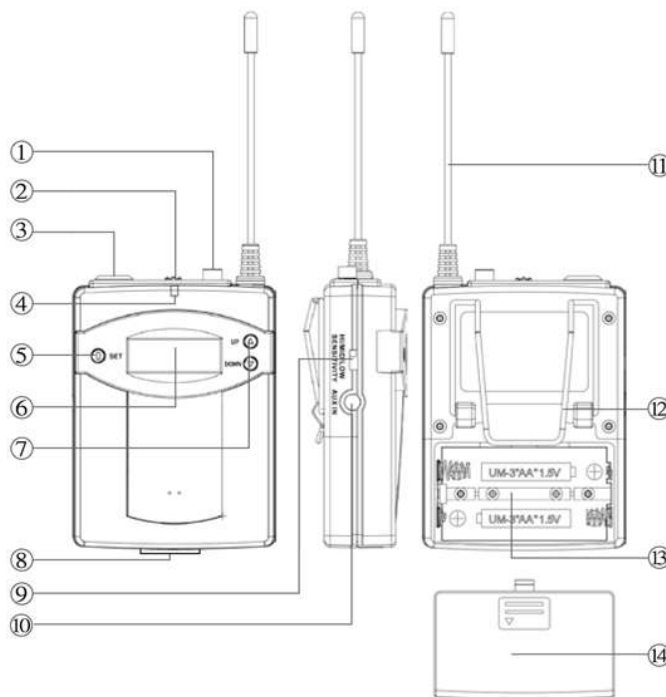
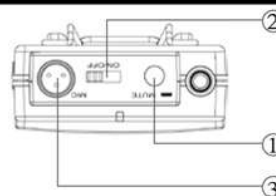


1. Insert 2 pcs. alkaline batteries 1.5V AAA in the battery slot ⑥
2. Close the battery cover ⑦
3. Turn ON the receiver with ①
4. LED ③ turns red
5. Select the channel with ②. Choose the same channel as the transmitter according to the table inside the battery cover ⑦  
 i.e. Receiver's channel (CH) 1 (freq. 863.100) corresponds to transmitter's channel (TX) 1  
 i.e. Receiver's channel (CH) 2 (freq. 864.100) corresponds to transmitter's channel (TX) 2
- NOTE: In some models receiver's (CH) and transmitter's (TX) channel may have a different number. Always check the table ⑦
6. Insert the earphone in the earphone socket ④. Use only earphones with stereo plug
7. Adjust the volume with wheel ⑤
8. Remember to turn OFF the receiver with ① after each use, in order to save the battery for next use

## Bodypack UHF Wireless Transmitter



- ① Mute control
- ② Power switch(ON/OFF)
- ③ 3.5 mm microphone input
- ④ Power indicator  
= It turns red when the unit is turned on
- ⑤ Frequency set
- ⑥ LCD
- ⑦ Channel selection
- ⑧ Charging port
- ⑨ Sensitivity switch
- ⑩ 3.5mm Aux In
- ⑪ Antenna  
Flexible antenna
- ⑫ Belt clip
- ⑬ Battery case
- ⑭ Battery cover



## Operation



### Insert batteries:

1. Push the battery cover gently in advance and then pull it off.
2. Insert 1.5V AA alkaline batteries
3. Push the battery cover back to close the case.

### Turn the unit on:

1. Turn on the power switch ②. The red light and the LCD are on.

### Channel setting:

After turning on the unit, the current channel **CH 01** is shown on the LCD. Press "SET" ⑤ for 2-3 seconds until the channel number starts to blink **CH 01**, and then press Up or Down ⑦ to select the channel from 1-16 or 1-96. Press "SET" again after setting the channel.





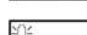
### You can set the sensitivity of built-in microphone based on different usages ⑨.

- HI -Very sensitive
- MID -The average
- LOW -Less sensitive

AUX IN-To connect with external sound signal, such as MP3 ⑩

When you are not using the microphone temporarily, you can push " MUTE " in silent mode . Push " MUTE ① " again and then you can start to use the microphone.

### LCD display instructions:

-  1. Channel 8<sup>th</sup> is selected and batteries are fully charged.
-  2. Batteries are going to be out of electricity. Please recharge soon.
-  3. When the battery frame blinks, batteries are out of electricity. The frame will blink until the unit turns off automatically.

※ 1. The insufficient power of batteries can decrease the performance on transmission and receiving

Caution!

※ Please take out of the batteries if the unit has not been used for a period in order to avoid the leakage.

### Turn the unit off:

1. Turn the unit off in the counterclockwise direction.
2. Meanwhile, the LCD will show **OFF**
3. If there are not other functions being activated, the power/reception indicator, backlight and LCD will be off after it shows "OFF" on LCD.